

# WARHAWK

## REALISTIC PAPER CRAFT

### Assembly Instrucons

#### Eucadian / 4×4



Thank you for downloading the "Eucadian 4×4." paper craft model. By simply following this manual while referring to the names and numbers shown on the parts sheets, you can assemble an authentic-looking replica of the Eucadian Jeep.

- Assembly instructions: Eleven A4-sized sheets.
- Paper craft: Seven A4-sized sheets with 91 parts in all

These instructions apply only to the "Eucadian 4×4". These Paper Craft parts are easier to work with when printed out on strong, thick paper (like postcard stock).

■ In creating these Paper Craft models we use  
110kg Kent paper stock

2008.2.17

# Note

## Before starting

### Tools & materials



- Cutting knife ● Cutting mat ● Ruler ● Scissors ● Magic marker ● Tweezers ● Pencil or sharp pointed object (for drawing folds) ● Glue (woodwork glue is recommended) ● Round pointed stick or pencil (used for making rounded edges)

### Note



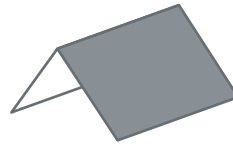
- ※Please make sure to handle any sharp-edged tool such as a cutting knife, etc. with care. Also, please use a thick piece of paper as a desk pad when using any sharp-edged tool.
- ※Please adequately ventilate air in the room when using glue, etc.
- ※Please keep glue or any other dangerous items out of reach of children.

### Construction Tips

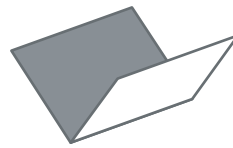


- Please construct after carefully reading the construction methods mentioned on the right side of the map.
- Please cut outlines carefully using scissors or a cutting knife.
- Please trace lightly on the line using a pencil or other pointed object to make bending easier. Please note that paper may rip when tracing with too much pressure.
- For best results, please take extra care when making round parts.
- Please note that creases may appear on the paper when using too much glue.
- Please test the proper quantity of glue on a blank area of paper before starting. White glue designed for woodwork is recommended.

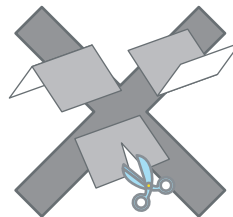
## Construct method



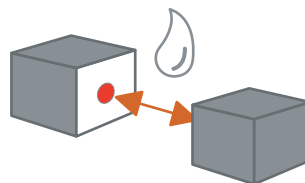
———— (Solid line)  
Please bend outwards.



----- (Broken line)  
Please bend inwards.



Do not fold or cut the parts marked X.



● mark (Red circle)  
This mark is a pasting area to bond with other parts.



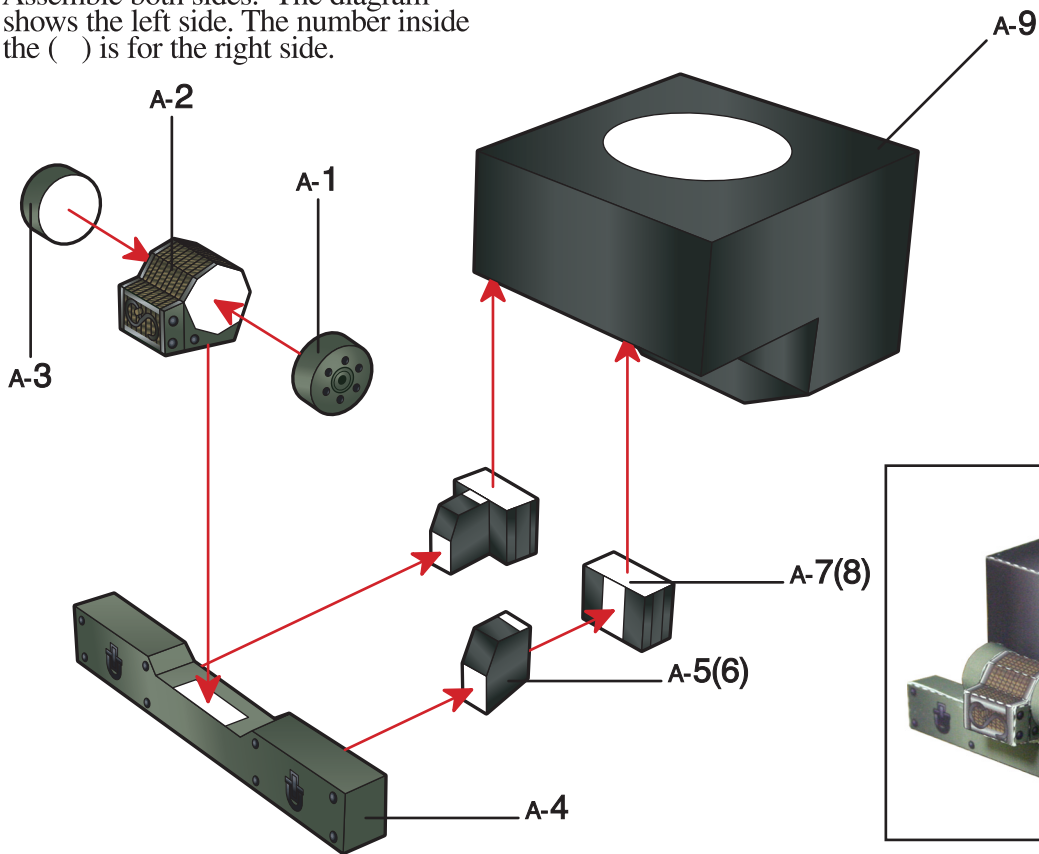
Cut out parts marked with an asterisk(\*).

※Please refer to the map and construct each piece by following instructions mentioned on the construction method.

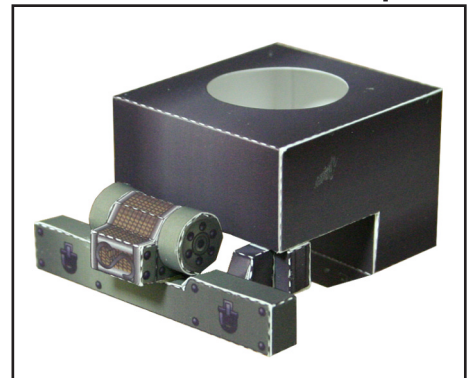
→ bonding with glue    ---→ Making round

### Sheet A

\*Assemble both sides. The diagram shows the left side. The number inside the ( ) is for the right side.

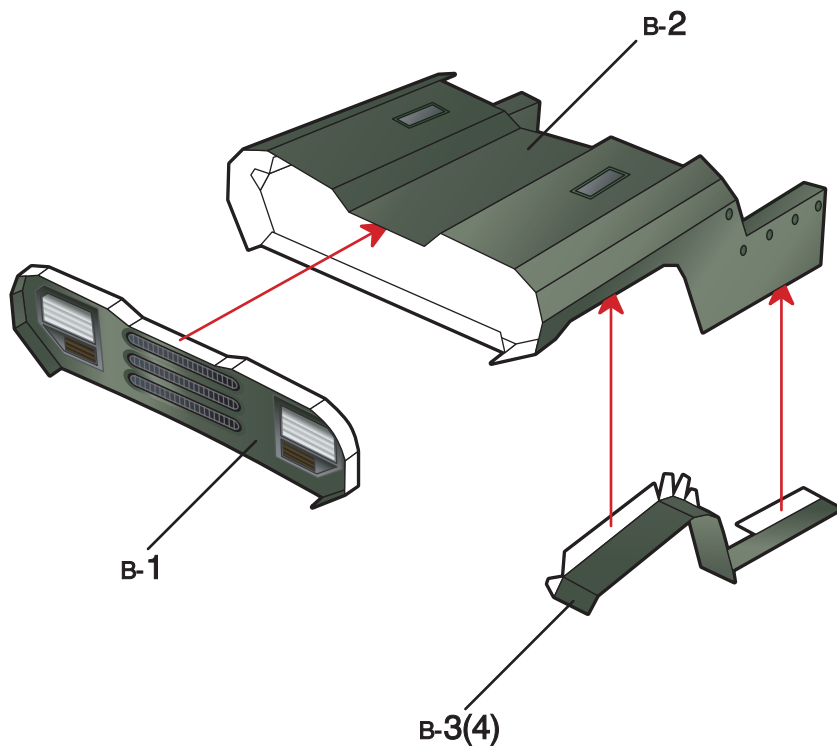


Reference photo

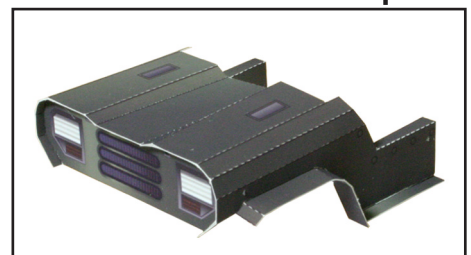


### Sheet B

\*Assemble both sides. The diagram shows the left side. The number inside the ( ) is for the right side.



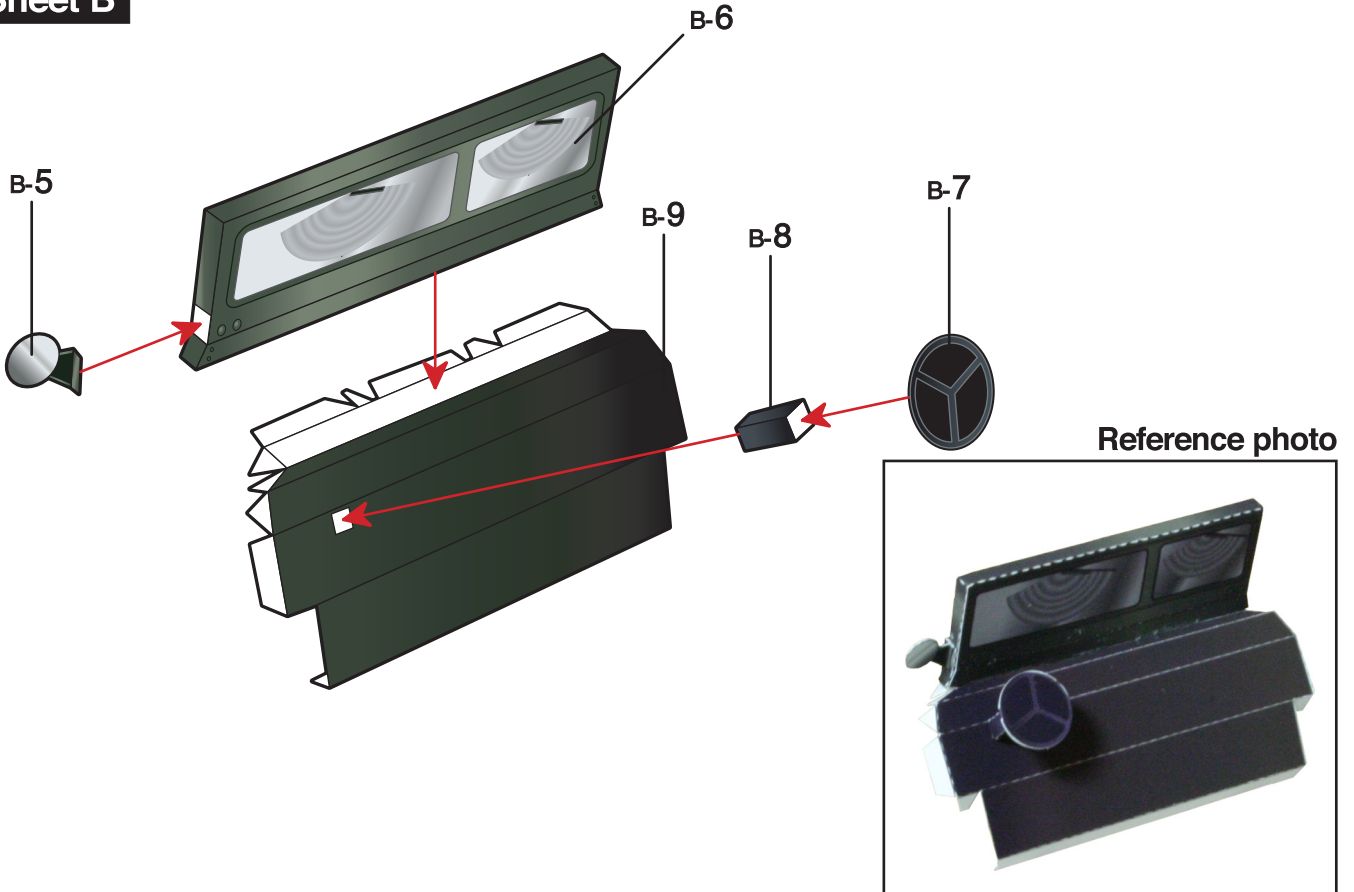
Reference photo



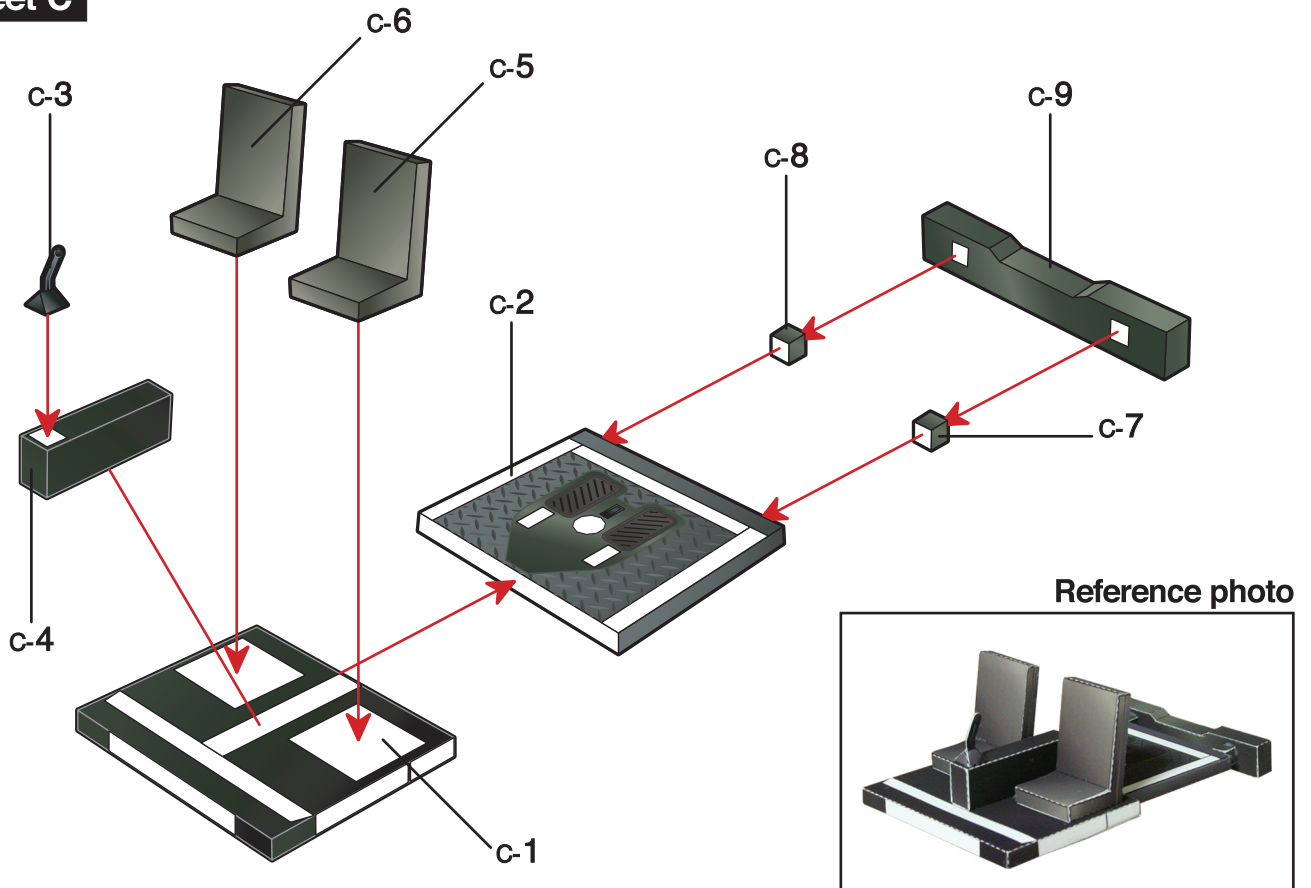
※Please refer to the map and construct each piece by following instructions mentioned on the construction method.

→ bonding with glue    ---→ Making round

### Sheet B



### Sheet C



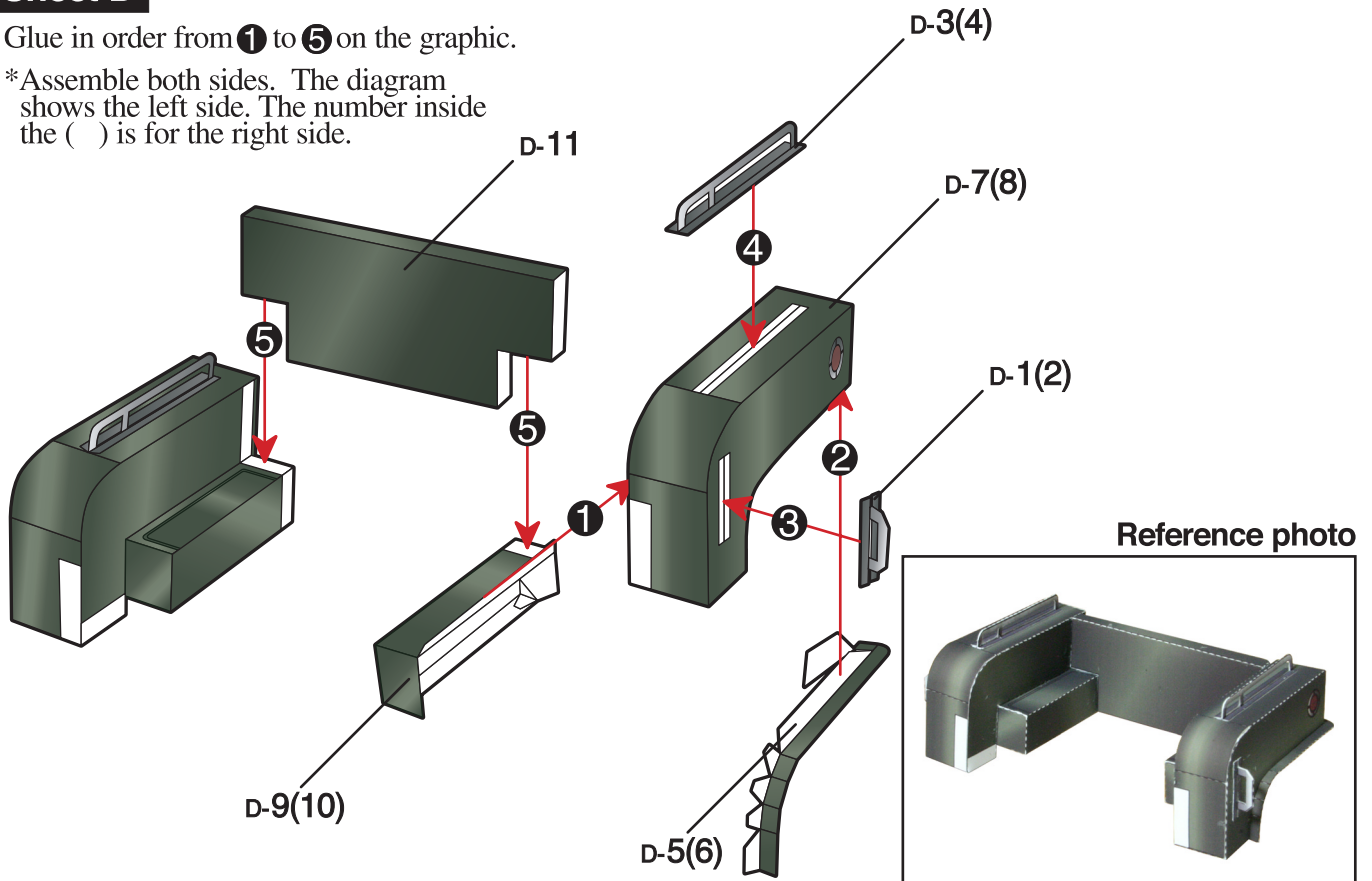
※Please refer to the map and construct each piece by following instructions mentioned on the construction method.

→ bonding with glue    - - - → Making round

### Sheet D

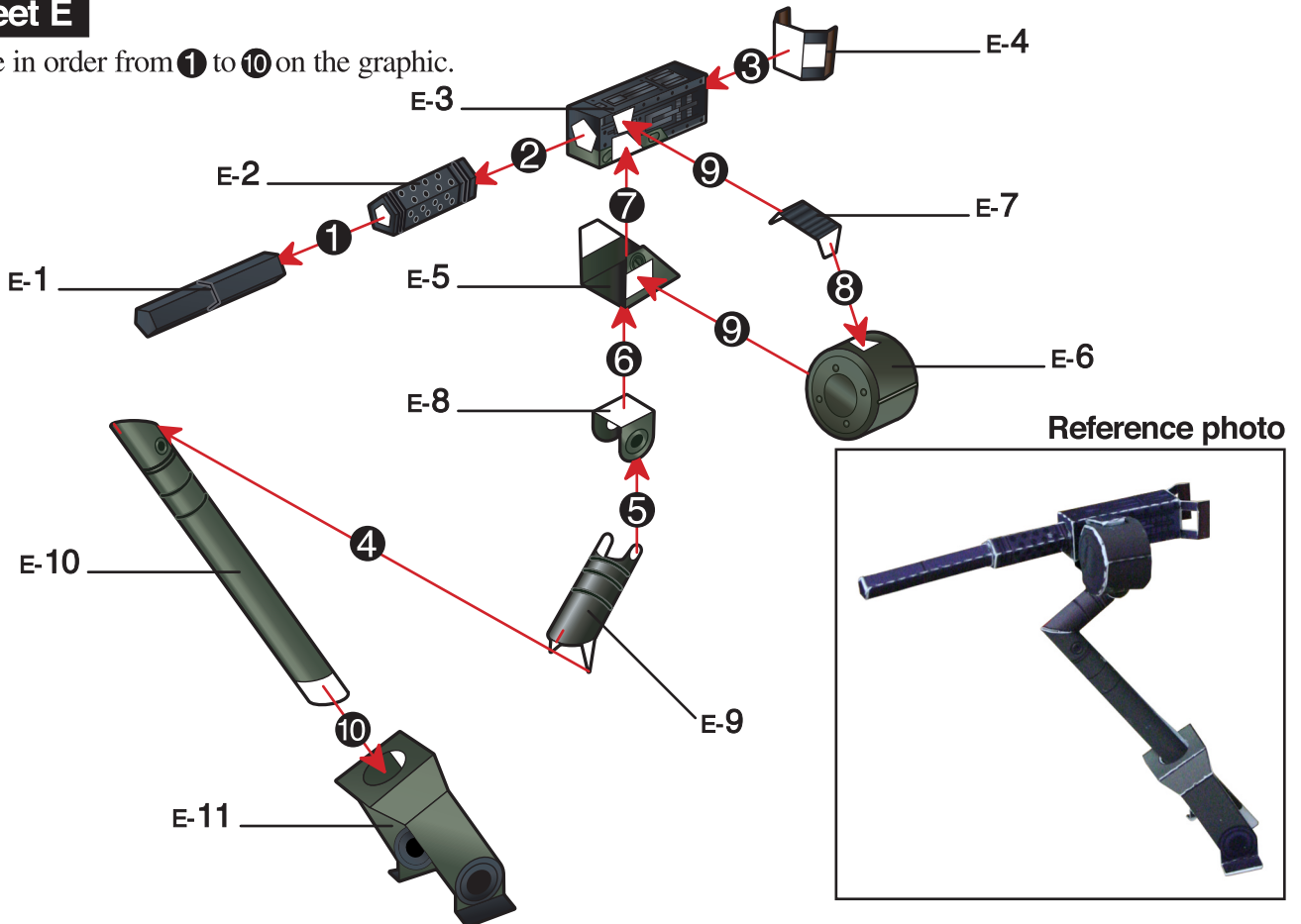
Glue in order from ① to ⑤ on the graphic.

\*Assemble both sides. The diagram shows the left side. The number inside the ( ) is for the right side.



### Sheet E

Glue in order from ① to ⑩ on the graphic.



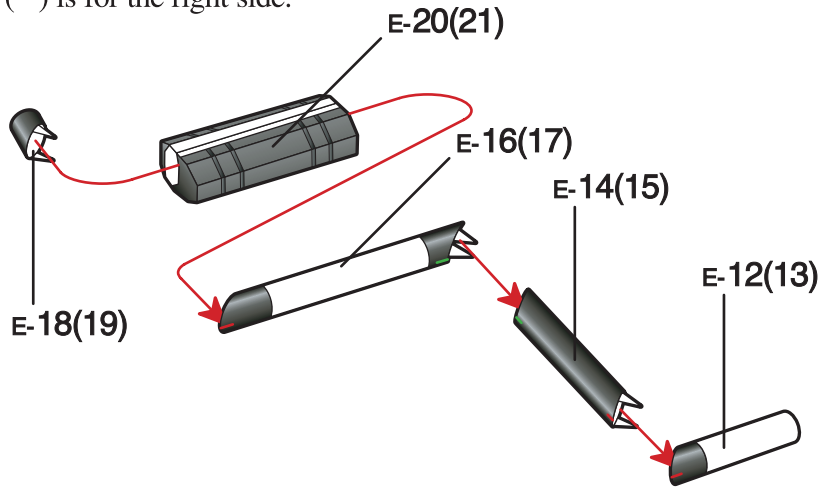


※Please refer to the map and construct each piece by following instructions mentioned on the construction method.

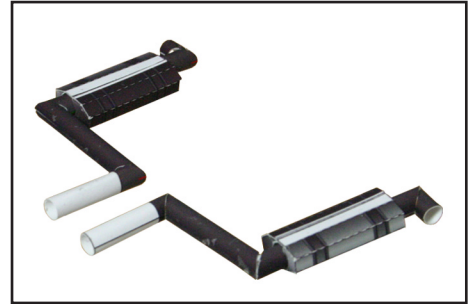
→ bonding with glue    ---→ Making round

### Sheet E

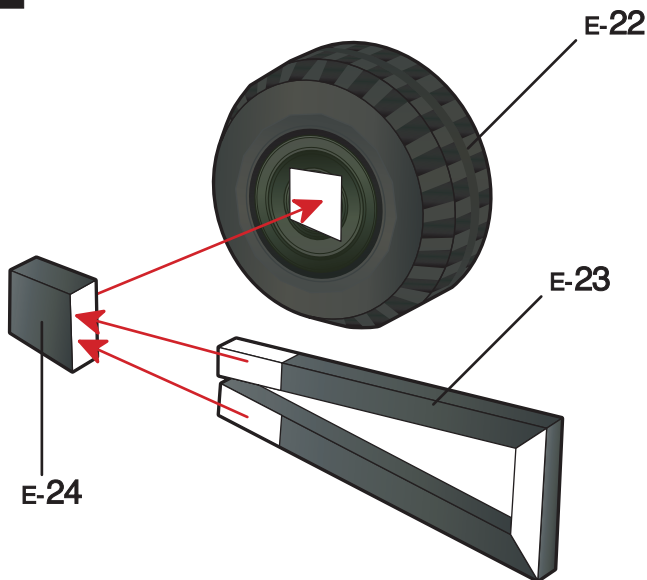
\*Assemble both sides. The diagram shows the left side. The number inside the ( ) is for the right side.



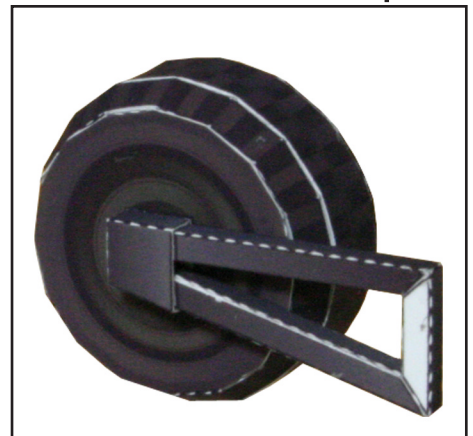
Reference photo



### Sheet E

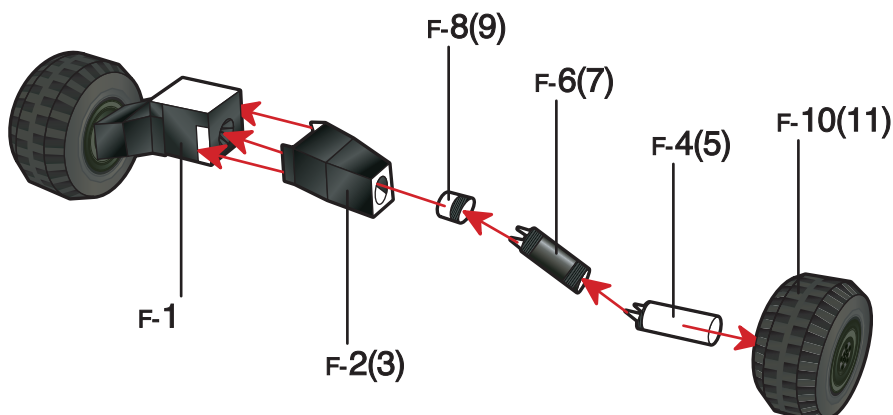


Reference photo

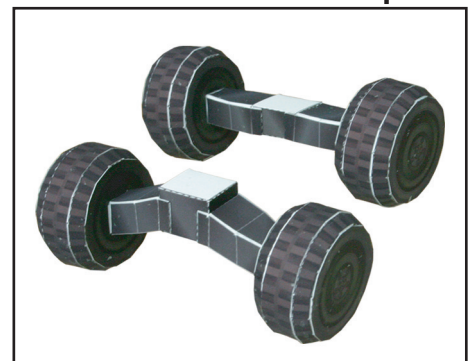


### Sheet F,G

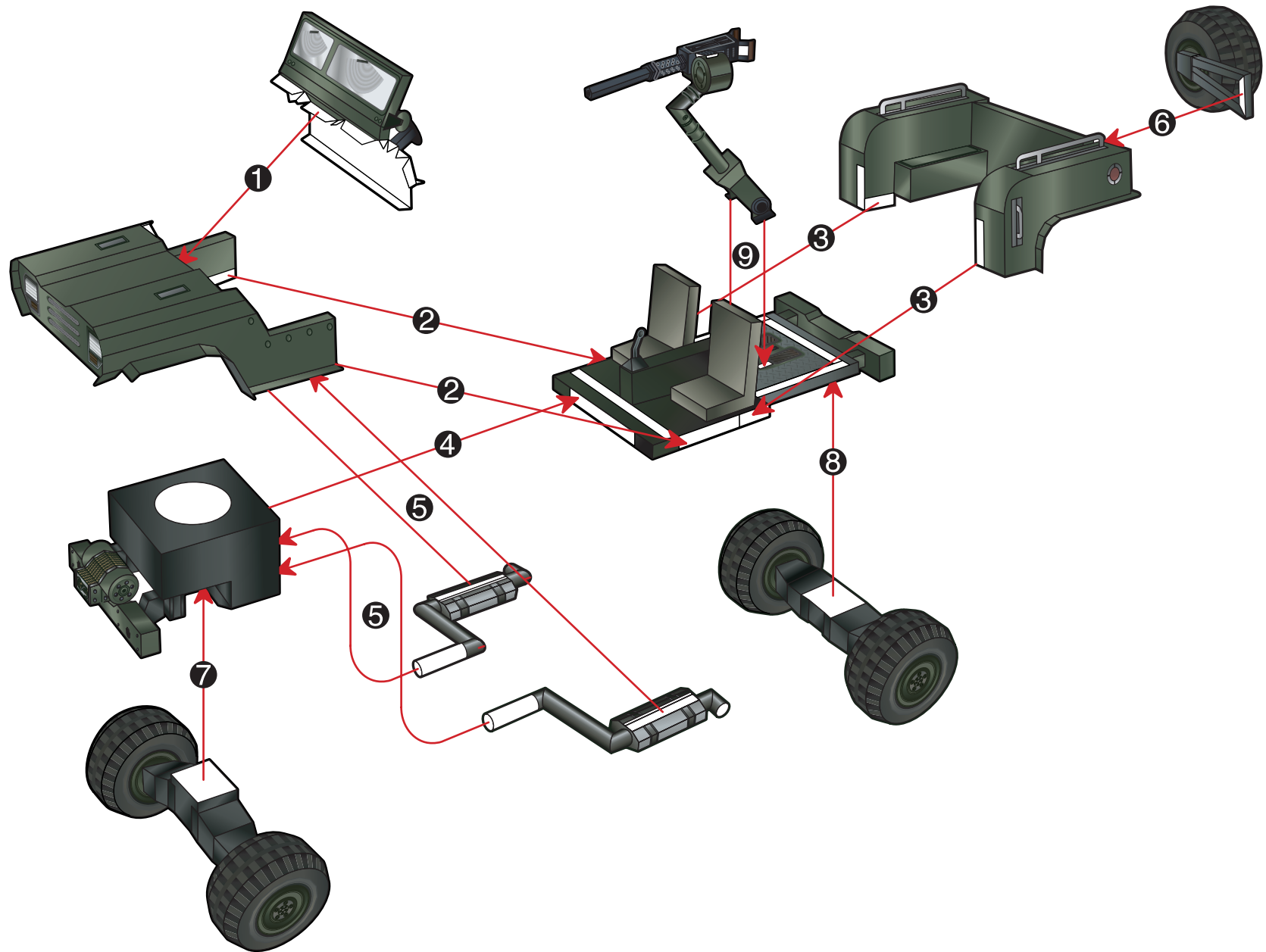
\*Assemble both sides. The diagram shows the left side. The number inside the ( ) is for the right side.



Reference photo



※Connect each of the previously assembled parts in order from ① - ⑨ according to the diagram.

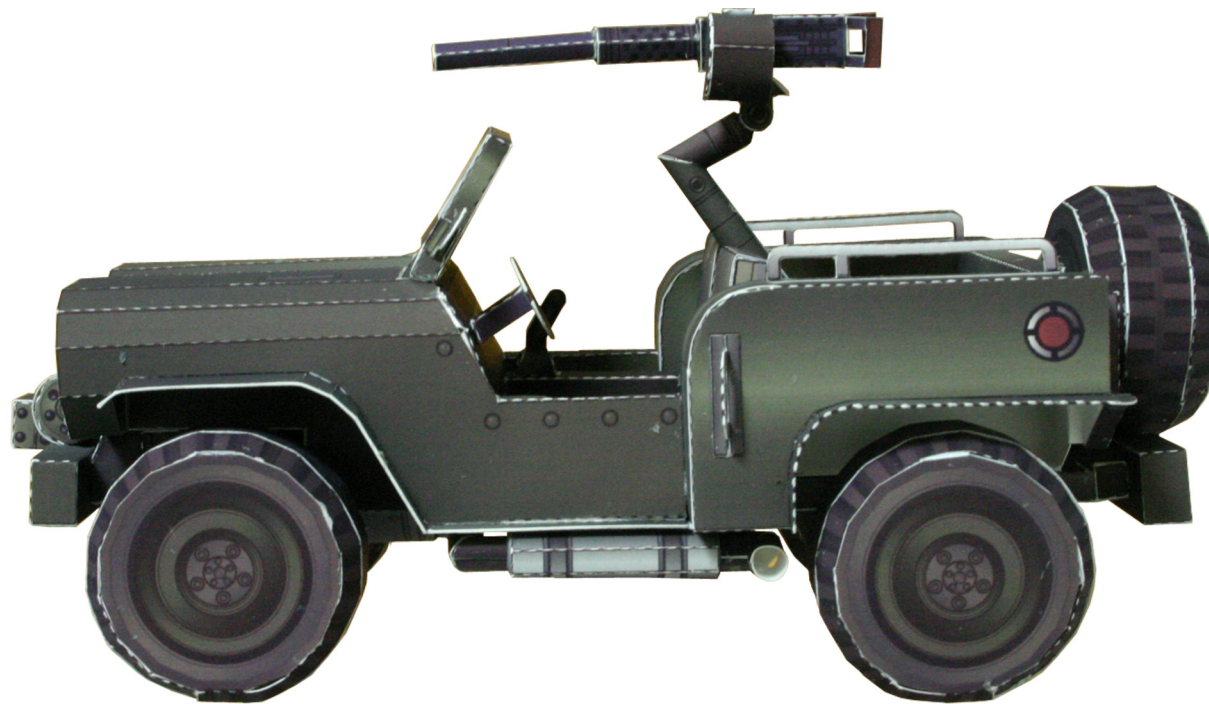


※Please refer to the photo below when attaching each component.

**Reference photo / Front**



**Reference photo / Left**



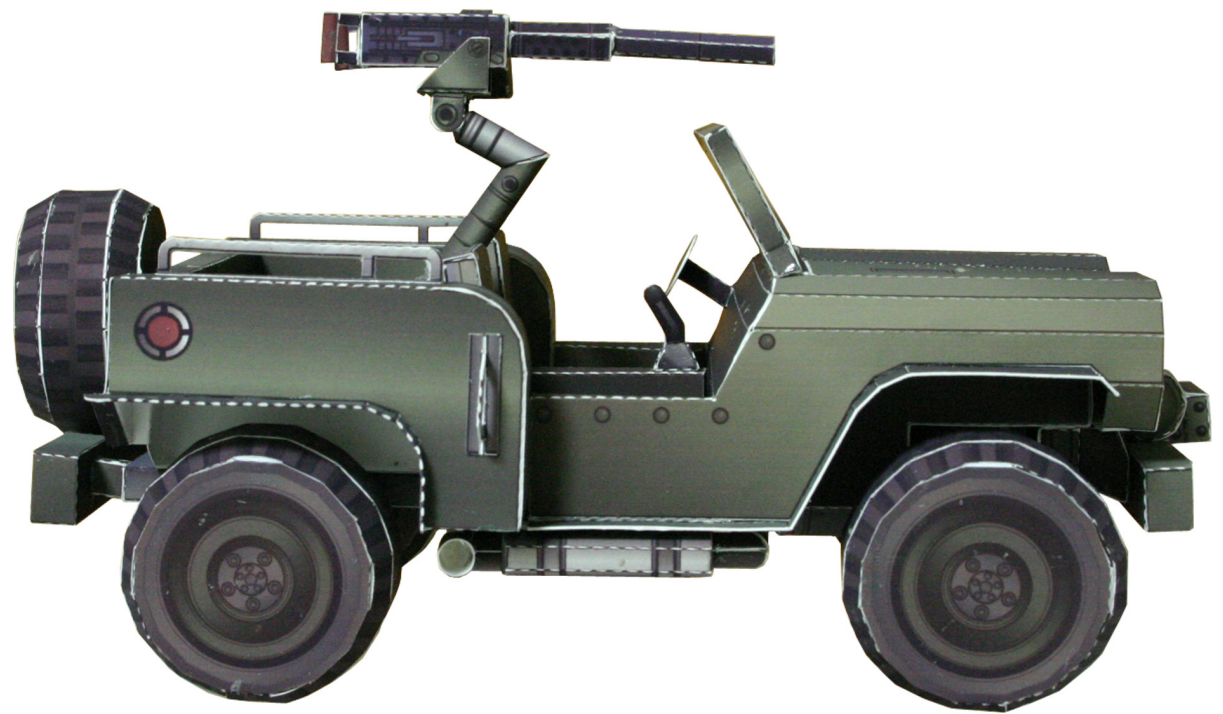


※Please refer to the photo below when attaching each component.

**Reference photo / Back**



**Reference photo / Right**

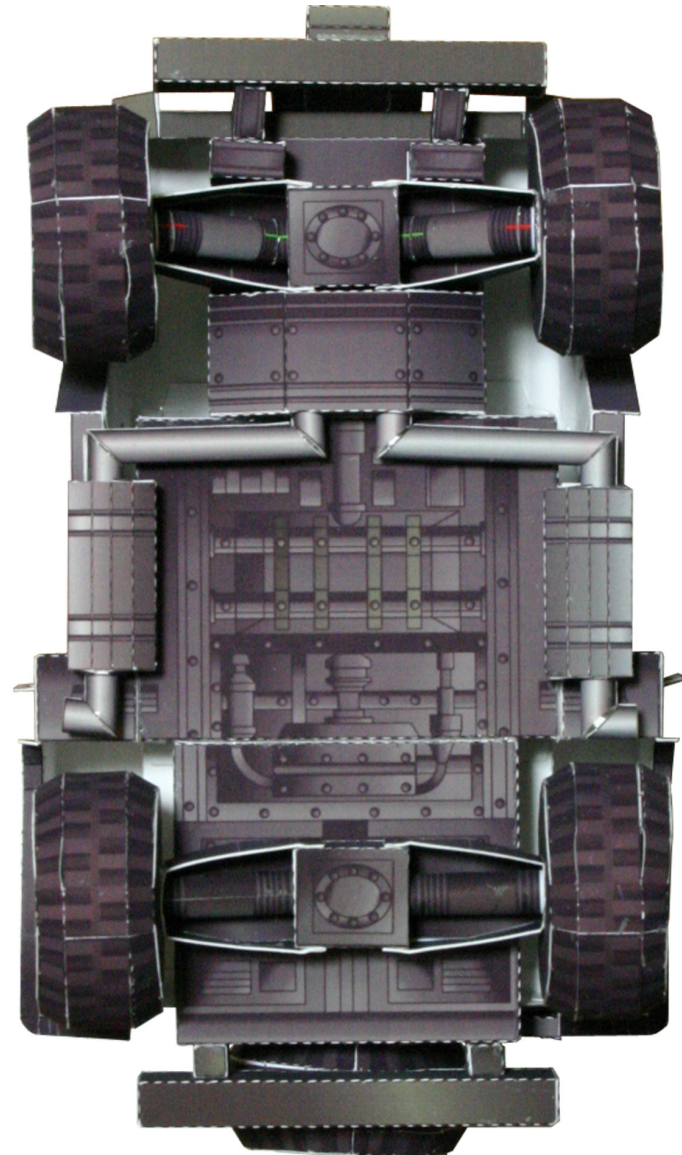


※Please refer to the photo below when attaching each component.

Reference photo/Top



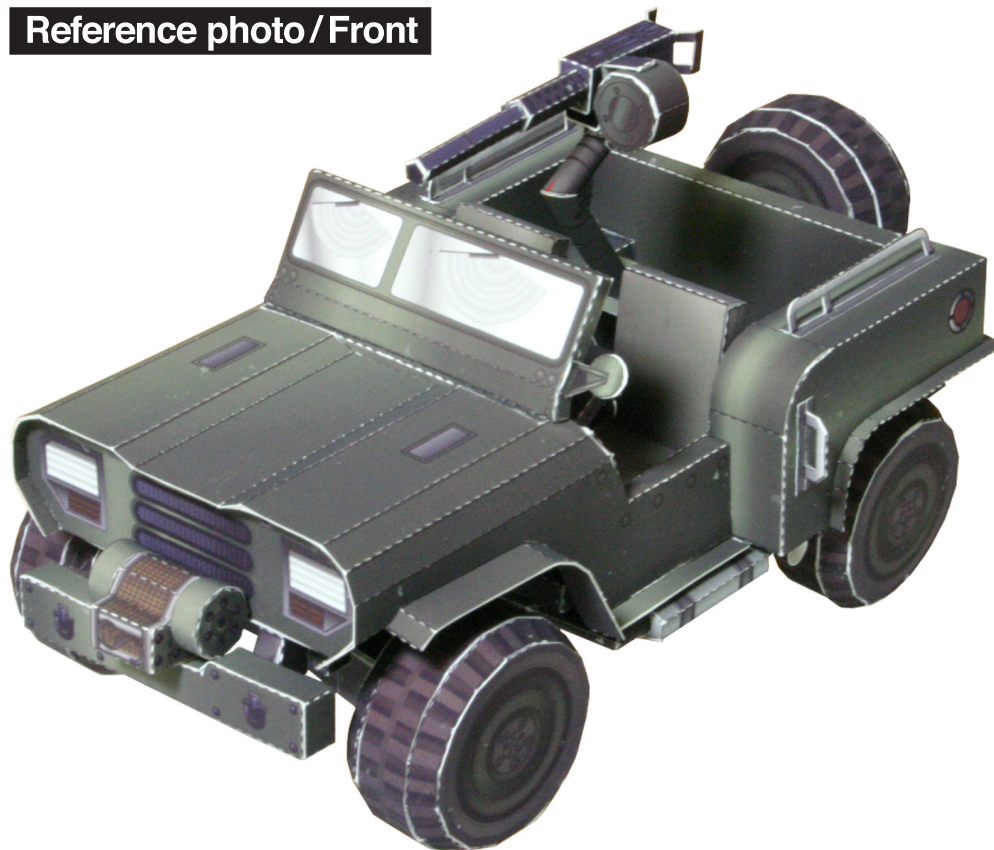
Reference photo/Bottom





※Please refer to the photo below when attaching each component.

Reference photo / Front



Reference photo / Back

